

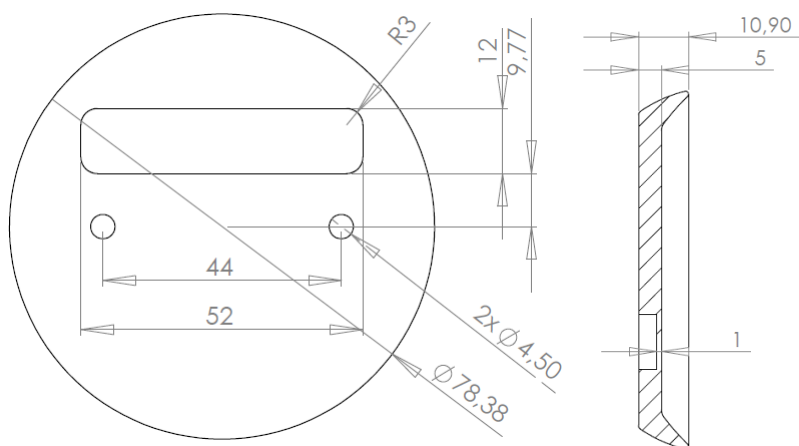
Magnetic Holder for RC1 Remote control



Technical specifications:

Width:	Ø 78,4 mm.
Depth:	10,90 mm.
Mounting hole:	Ø 4,3 mm.
Mounting hole distance:	44 mm.
Weight:	30 g.
Lantic part no:	1742

RC1H Magnetic Holder can be mounted on wall.



* all specifications subject to change without notice